



Serrated base grips the roof deck to prevent the base from moving while installing the lag bolt

#### USED FOR MOUNTING:

- Photovoltaic Solar Panels
- Solar Thermal Panels
- Communication Equipment
- Virtually anything needing structural attachment to a roof!

professional  
**SOLAR**  
products inc.

**(805) 486-4700**

(805) 486-4799-fax  
1551 S. Rose Ave.  
Oxnard, CA 93033

View more info on our  
website at:

[www.prosolar.com](http://www.prosolar.com)

# FastJack®

Patent #6,360,491

## Flashable Roof Stanchion

The patented design of the FastJack® can be easily expressed as the most innovative, efficient and cost-effective tool of it's kind!

Between the precision CNC machined base and stanchion along with strict engineering and material standards, the FastJack® has been laboratory tested to provide 2,359 pounds of strength using only a single lag bolt (included)!

### Four Sizes Available!

<b>3" High</b> For low profile installations using Oatey® flashings (for composition shingle roof-tops)	<b>Part# FJ-300-18</b>
<b>4-1/2" High</b> For installations using standard flashings (for composition & flat rooftops)	<b>Part# FJ-450-18</b>
<b>6" High</b> For standard flashings (for flat tile rooftops)	<b>Part# FJ-600-18</b>
<b>7-1/2" High</b> For standard flashings (sized for S-curve tile roofs and/or double flashed installations)	<b>Part# FJ-750-18</b>

\*The Fast Jack® design is covered under Pat. #6,360,491  
Using 1ea. 5/16" x 3-1/2" Lag Bolt

Laboratory Tested  
**2,359 lbs**  
Vertical Pullout!  
**808 lbs**  
Side Axial Pullout!\*

**FastJack® FJ-300-18**  
For Oatey® style flashings



**FastJack® FJ-450-18**  
For standard height flashings



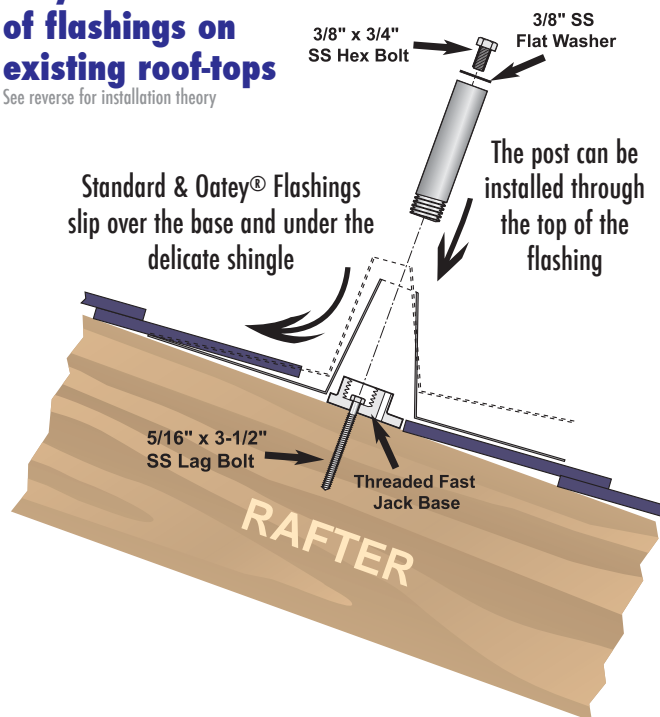
### Commercial FastJack® also available (rated at 4,250 lbs.)

#### Benefits of the FastJack®

- Removable post makes installation on existing roofs/retrofit quick and easy (refer to the illustration to the right)
- Patented design locates the lag bolt directly under the stanchion providing superior strength values
- Fast & easy to install - saves time and labor costs
- Precision machined from extruded aluminum, there are no welds to corrode or break
- Significantly lighter than steel for installer convenience and reduced shipping costs.
- Integrated drill guide insures perfect pilot holes every time - minimizes the possibility of splitting roof rafters
- Base design allows virtually any roof flashing to install flat on the roof deck

#### Easy installation of flashings on existing roof-tops

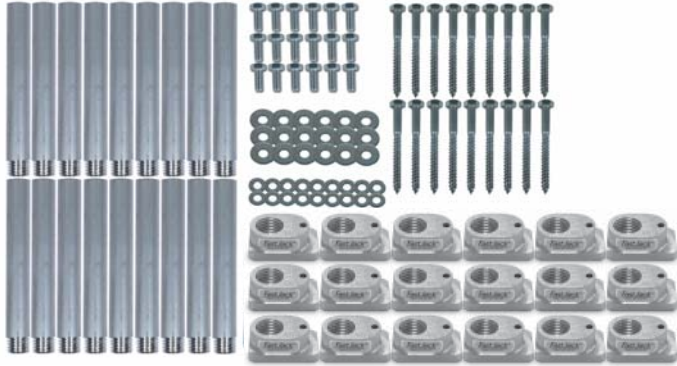
See reverse for installation theory



# FastJack®

Patent #6,360,491

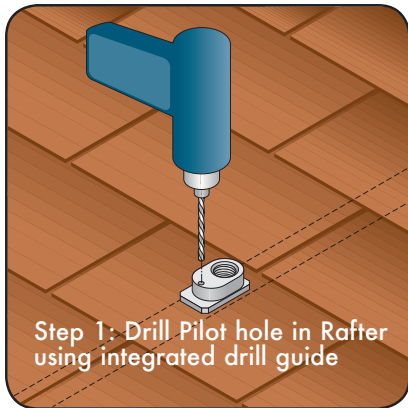
Bulk packaging means easier stocking abilities, less packaging waste and quicker, more convenient installation. Everything in the photo below is shipped in a recloseable box for storage of extra parts.



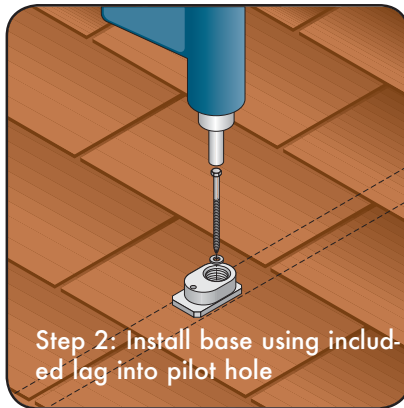
The FastJack® is available in four convenient sizes. All sizes are packaged in quantities of 18 per box:

- 18 - 1" Round Posts (3", 4-1/2", 6" or 7-1/2" tall)
- 18 - Threaded bases
- 18 - 3/8" x 3/4" SS Hex Bolts
- 18 - 3/8" SS Flat washers
- 18 - 5/16" x 3" SS Lag bolts
- 18 - 5/16" SS Flat Washers

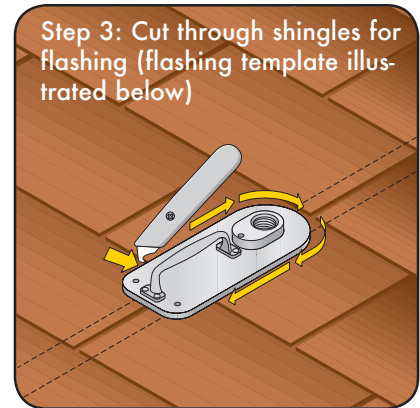
## Easy Installation:



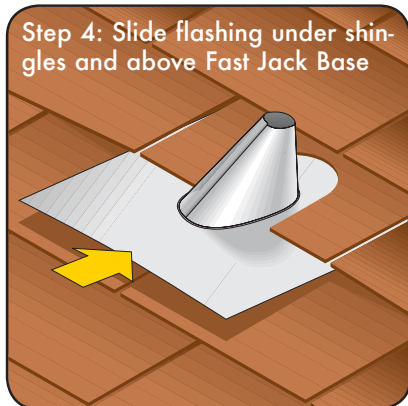
Step 1: Drill Pilot hole in Rafter using integrated drill guide



Step 2: Install base using included lag into pilot hole



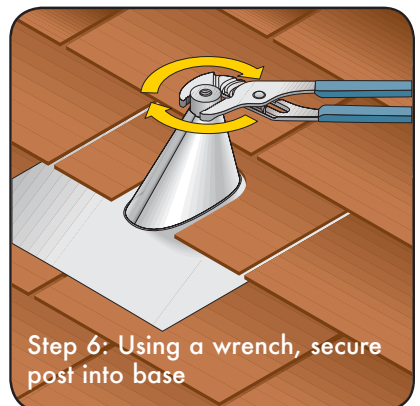
Step 3: Cut through shingles for flashing (flashing template illustrated below)



Step 4: Slide flashing under shingles and above Fast Jack Base



Step 5: Thread post through top or bottom of flashing into FastJack® base



Step 6: Using a wrench, secure post into base



Step 7: Seal flashing around the post to waterproof



**Flashing Template**  
Available for Oatey (Pictured) and standard flashings. Makes cutting in a perfect flashing easy and painless!



Kit includes Fast Jack post threader with knob



© Professional Solar Products, Inc. March 2006.